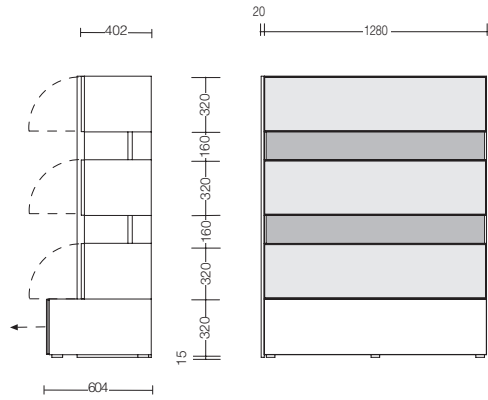


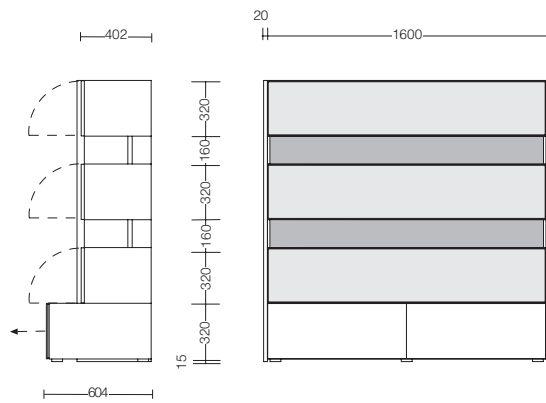
MONOS

Module consisting of:

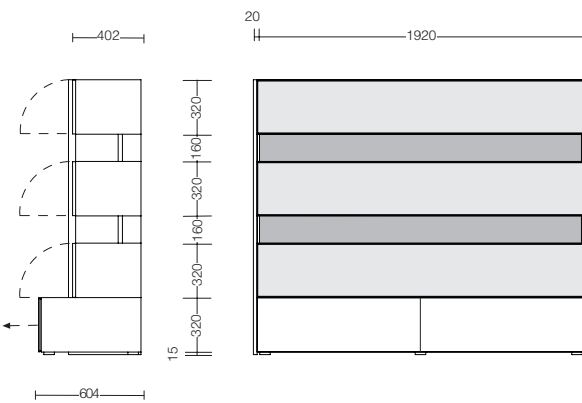
- 1 base container lacquered with mat or glossy finish, equipped with big drawers (1 for version W.1300, 2 for versions W.1620/1940mm).
- 3 containers in mat lacquer with glass flap doors.
- 2 open units in mat lacquer.
- 1 side panel in glossy lacquer for solution **A**. Upon request side panel in glossy aluminium.
- 1 side panel in mat lacquer for solution **B**.
- A** – 1 black glossy lacquer, glass varnished black.
 2 gesso glossy lacquer, extralight glass varnished gesso.
 3 lava glossy lacquer, reflective glass varnished anthracite.
- B** – 1 black mat lacquer, glass varnished black.
 2 gesso mat lacquer, extralight glass varnished gesso.
 3 lava mat lacquer, reflective glass varnished anthracite.



W.1300 D.402/604 H.1615mm.



W.1620 D.402/604 H.1615mm.



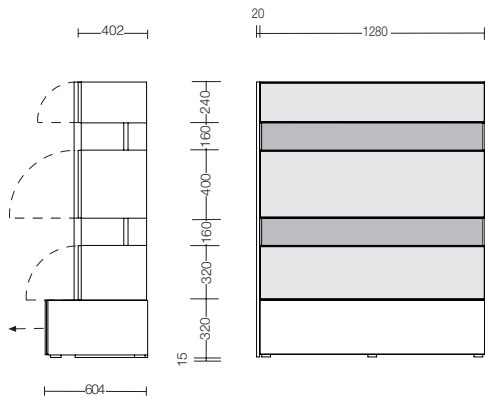
W.1940 D.402/604 H.1615mm.

Code	Sol.A	Sol. B
MS11		
MS21		
MS31		

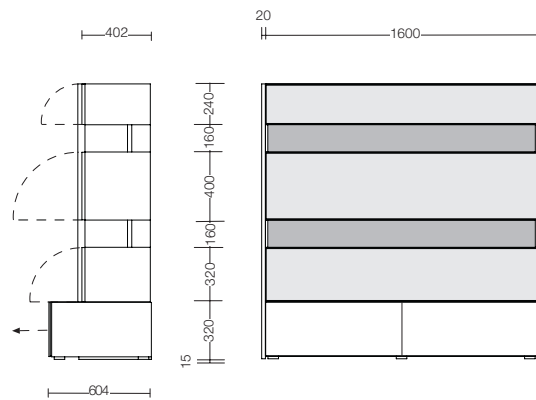
MONOS

Module consisting of:

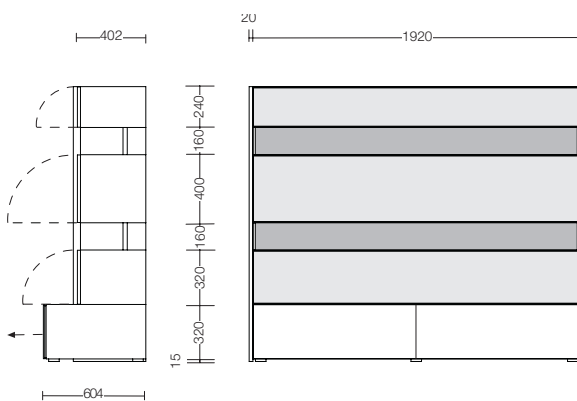
- 1 base container lacquered with mat or glossy finish, equipped with big drawers (1 for version W.1300, 2 for versions W.1620/1940mm).
- 3 containers in mat lacquer with glass flap doors.
- 2 open units in mat lacquer.
- 1 side panel in glossy lacquer for solution **A**. Upon request side panel in glossy aluminium.
- 1 side panel in mat lacquer for solution **B**.
- A** – 1 black glossy lacquer, glass varnished black.
- 2 gesso glossy lacquer, extralight glass varnished gesso.
- 3 lava glossy lacquer, reflective glass varnished anthracite.
- B** – 1 black mat lacquer, glass varnished black.
- 2 gesso mat lacquer, extralight glass varnished gesso.
- 3 lava mat lacquer, reflective glass varnished anthracite.



W.1300 D.402/604 H.1615mm.



W.1620 D.402/604 H.1615mm.



W.1940 D.402/604 H.1615mm.

Code	Sol.A	Sol. B
MS13		
MS23		
MS33		

MONOS

Module consisting of:

2 containers lacquered with mat or glossy finish, 1 equipped with big drawers and 1 equipped with drawers (1 for version W.1300, 2 for versions W.1620/1940mm).

2 containers in mat lacquer with glass flap doors.

3 open units in mat lacquer.

1 side panel in glossy lacquer for solution **A**. Upon request side panel in glossy aluminium.

1 side panel in mat lacquer for solution **B**.

A – 1 black glossy lacquer, glass varnished black.

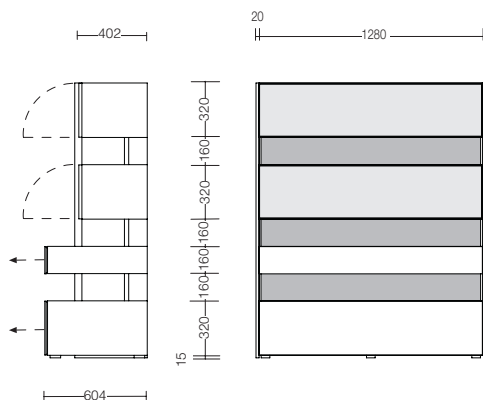
2 gesso glossy lacquer, extralight glass varnished gesso.

3 lava glossy lacquer, reflective glass varnished anthracite.

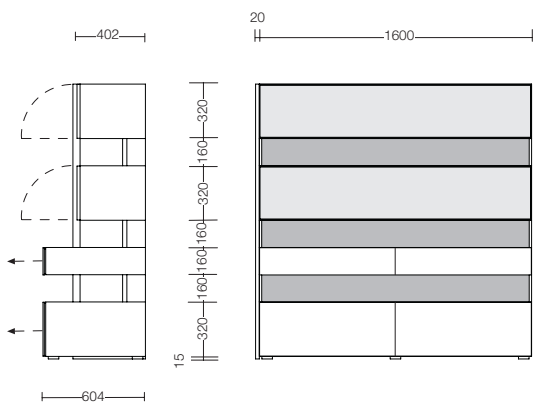
B – 1 black mat lacquer, glass varnished black.

2 gesso mat lacquer, extralight glass varnished gesso.

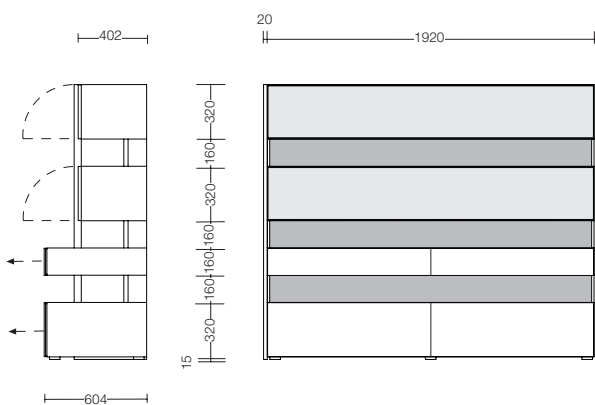
3 lava mat lacquer, reflective glass varnished anthracite.



W.1300 D.402/604 H.1615mm.



W.1620 D.402/604 H.1615mm.



W.1940 D.402/604 H.1615mm.

Code	Sol.A	Sol. B
MS16		
MS26		
MS36		

MONOS

Module consisting of:

2 containers lacquered with mat or glossy finish, 1 equipped with big drawers and 1 equipped with drawers (1 for version W.1300, 2 for versions W.1620/1940mm).

2 containers in mat lacquer with glass flap doors.

3 open units in mat lacquer.

1 side panel in glossy lacquer for solution A. Upon request side panel in glossy aluminium.

1 side panel in mat lacquer for solution B.

A – 1 black glossy lacquer, glass varnished black.

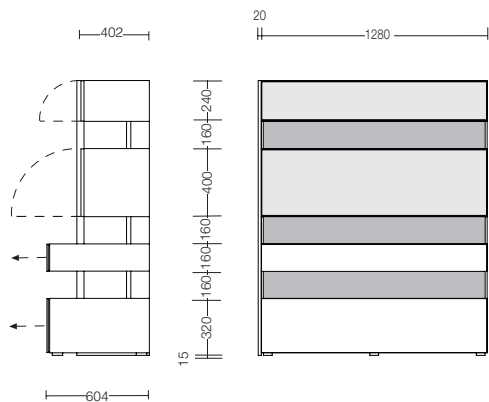
2 gesso glossy lacquer, extralight glass varnished gesso.

3 lava glossy lacquer, reflective glass varnished anthracite.

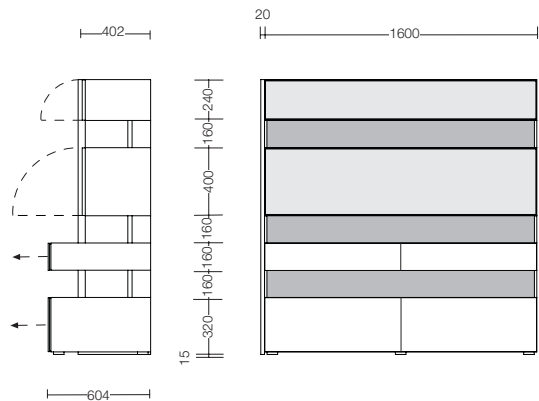
B – 1 black mat lacquer, glass varnished black.

2 gesso mat lacquer, extralight glass varnished gesso.

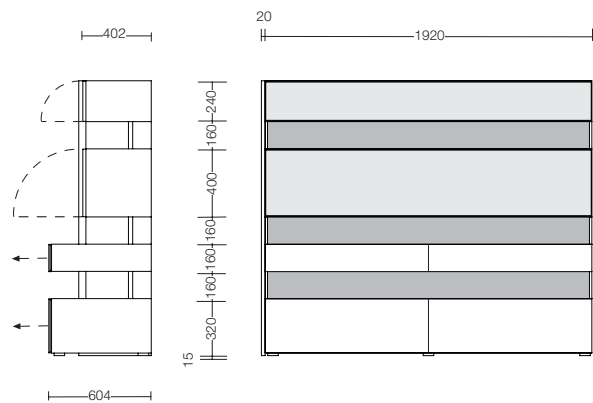
3 lava mat lacquer, reflective glass varnished anthracite.



W.1300 D.402/604 H.1615mm.



W.1620 D.402/604 H.1615mm.



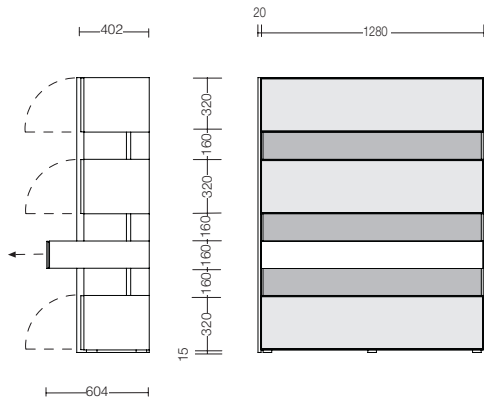
W.1940 D.402/604 H.1615mm.

Code	Sol.A	Sol. B
MS17		
MS27		
MS37		

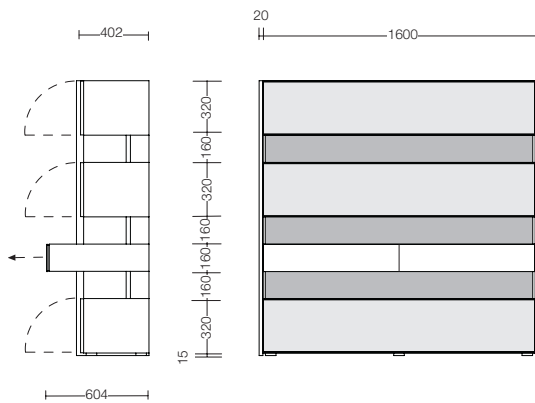
MONOS

Module consisting of :

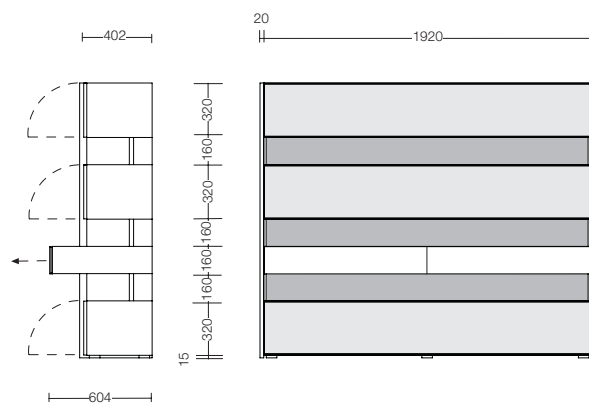
- 1 container lacquered with mat or glossy finish, equipped with drawers (1 for version W.1300, 2 for versions W.1620/1940mm).
- 3 containers in mat lacquer with glass flap doors.
- 3 open units in mat lacquer.
- 1 side panel in glossy lacquer for solution **A**. Upon request side panel in glossy aluminium.
- 1 side panel in mat lacquer for solution **B**.
- A** – 1 black glossy lacquer, glass varnished black.
 2 gesso glossy lacquer, extralight glass varnished gesso.
 3 lava glossy lacquer, reflective glass varnished anthracite.
- B** – 1 black mat lacquer, glass varnished black.
 2 gesso mat lacquer, extralight glass varnished gesso.
 3 lava mat lacquer, reflective glass varnished anthracite.



W.1300 D.402/604 H.1615mm.



W.1620 D.402/604 H.1615mm.



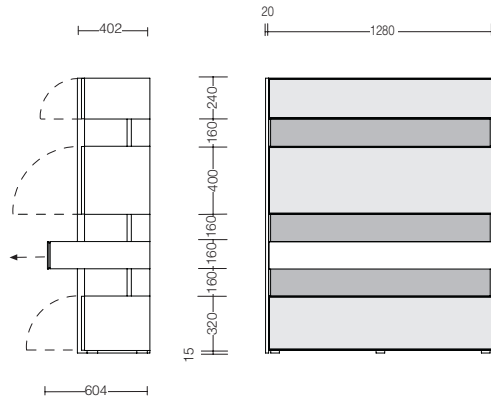
W.1940 D.402/604 H.1615mm.

Code	Sol.A	Sol. B
MS18		
MS28		
MS38		

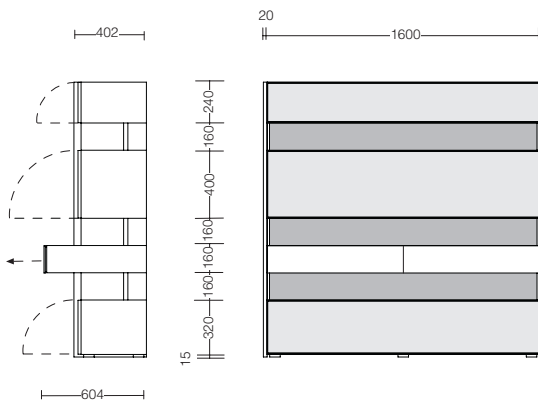
MONOS

Module consisting of:

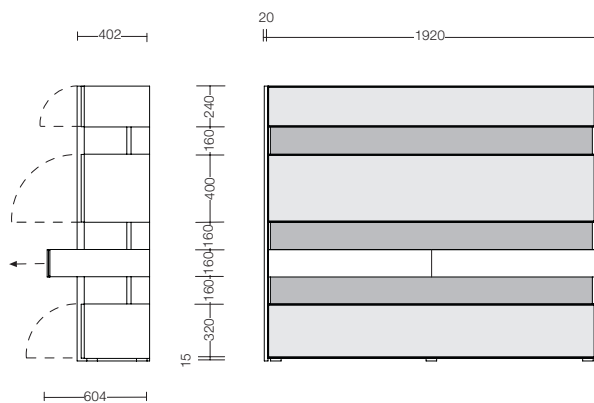
- 1 container lacquered with mat or glossy finish, equipped with drawers (1 for version W.1300, 2 for versions W.1620/1940mm).
- 3 containers in mat lacquer with glass flap doors.
- 3 open units in mat lacquer.
- 1 side panel in glossy lacquer for solution **A**. Upon request side panel in glossy aluminium.
- 1 side panel in mat lacquer for solution **B**.
- A** – 1 black glossy lacquer, glass varnished black.
 2 gesso glossy lacquer, extralight glass varnished gesso.
 3 lava glossy lacquer, reflective glass varnished anthracite.
- B** – 1 black mat lacquer, glass varnished black.
 2 gesso mat lacquer, extralight glass varnished gesso.
 3 lava mat lacquer, reflective glass varnished anthracite.



W.1300 D.402/604 H.1615mm.



W.1620 D.402/604 H.1615mm.



W.1940 D.402/604 H.1615mm.

Code	Sol.A	Sol. B
MS19		
MS29		
MS39		

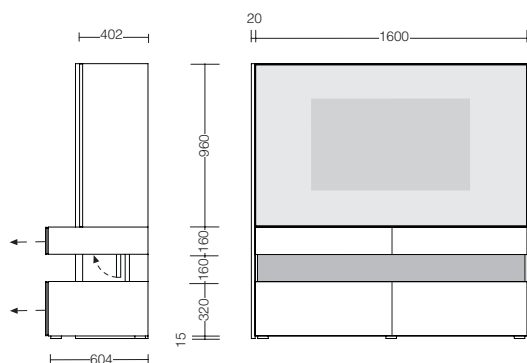
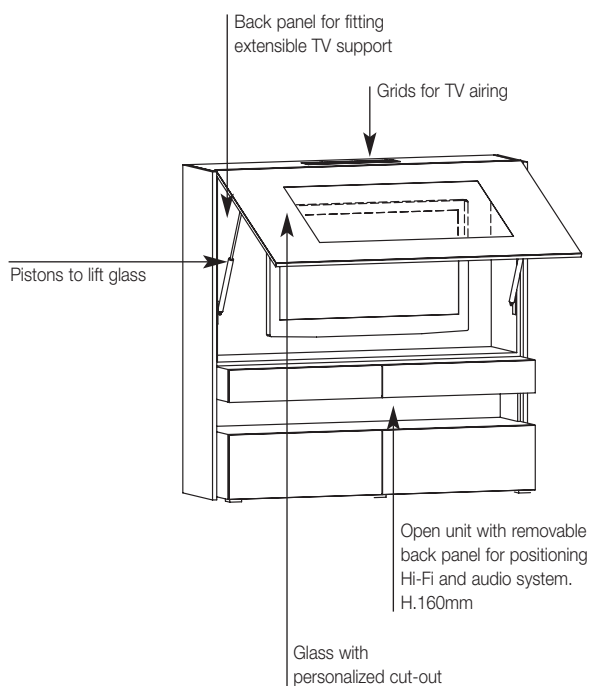
MONOS for TV LCD/LED up to 46" -new-

Module consisting of :

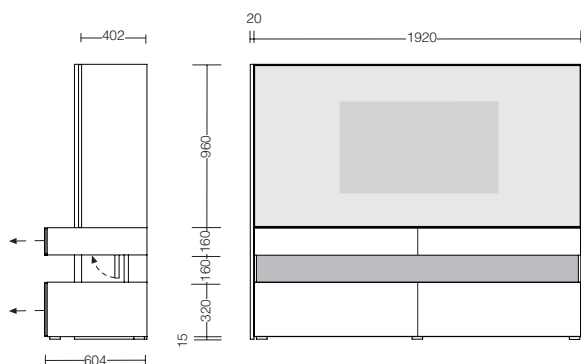
- 1 base container lacquered with glossy or mat finish equipped with 2 big drawers.
- 1 container lacquered with glossy or mat finish equipped with 2 drawers.
- 1 element with liftable front glass to fit TV LCD/LED up to 46" (not included).
- 1 open unit in mat lacquer.
- 1 side panel in glossy lacquer for solution **A**. Upon request side panel in glossy aluminium.
- 1 side panel in mat lacquer for solution **B**.

- A** – 1 black glossy lacquer, glass varnished black.
 2 gesso glossy lacquer, extralight glass varnished gesso.
 3 lava glossy lacquer, reflective glass varnished anthracite.
- B** – 1 black mat lacquer, glass varnished black.
 2 gesso mat lacquer, extralight glass varnished gesso.
 3 lava mat lacquer, reflective glass varnished anthracite.

N.B.: It is necessary to use a Tv wall-support adjustable in the three directions, an external audio equipment, and an IR receiver for the remote control. When placing the order it is necessary to inform the Company of the TV model and of the screen inches, in order to make the correct cut-out for the screen on the varnished glass.



W.1620 D.402/604 H.1615mm.



W.1940 D.402/604 H.1615mm.

Code	Sol.A	Sol. B
MS21LCD		
MS31LCD		

MONOS for TV LCD/LED up to 46" -new-

PRICES INDICATED ARE NET - VAT NOT INCLUDED

Code

€

Wall support for TV

Universal telescopic support for TV LCD from 32" to 46"

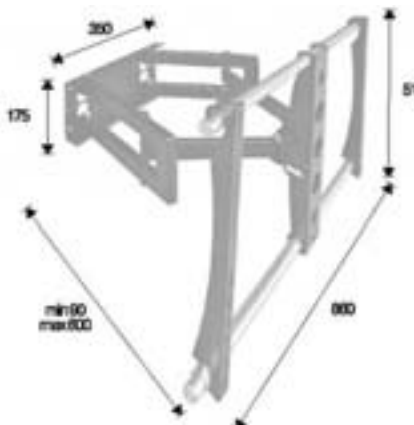
Maximum weight capacity Kg.75

Compatible with vesa standard max 800x400

Distance between TV and back panel: minimum 90mm – maximum 600mm

To be fitted on the back panel.

Mod. AMOMO6123.



MSST

External audio system (SONY SRS-D25)

System of loudspeakers with integrated amplifier, for a total output strength of 25W (1 subwoofer: 15W, 2 satellites: 5W+5W)

System of loudspeakers Bass Reflex with pressure card on the subwoofer.

Double aux input for use of PC and portable musical devices.

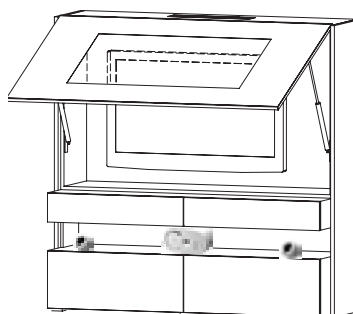
Stereo connectors mini headphone output for personal listening.

Incorporated controls, properly positioned (on/off switch, volume, headphone output).

Perfect for videogames, DVD and music reproduction.

Integrated transformer.

To be positioned in the open unit below the TV.



MSAU

Table IR receiver

To be used to control the TV through the remote control.



MSIR

MONOS for TV ad-notam LCD 32" / 37" / 46"

PRICES INDICATED ARE NET - VAT NOT INCLUDED

Code

€

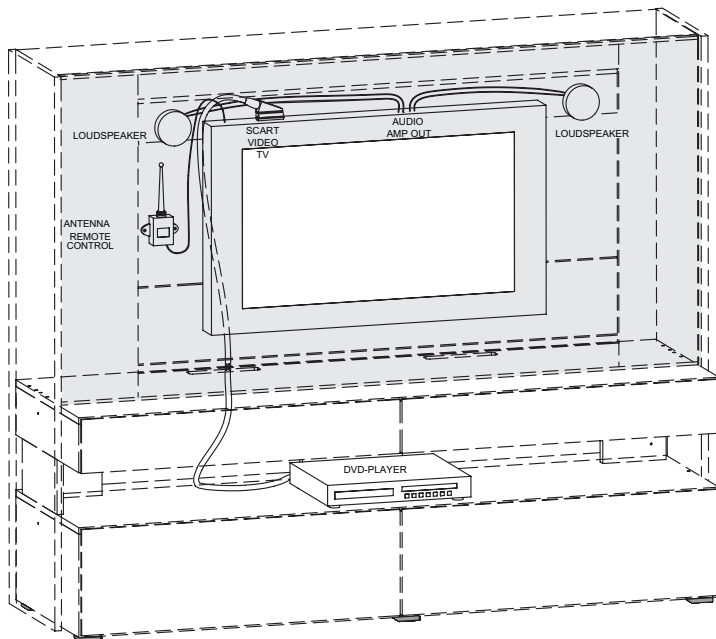
Three different sizes of LCD TV FULL HD ad-notam are available for the MONOS container: 32", 37" and 46". The TV is complete with cables, available in the lower open unit of the TV cabinet, that allow connection to all HI-FI systems.

The audio system of the TV ad-notam, not included in the television, must be ordered separately.

Should the customer not be in possession of an external audio system (for example a HOME THEATER SYSTEM), a set of invisible loudspeakers (optional) are available – see below.

These loudspeakers, also fixed behind the glass panel of the TV, are realized using a particular technology that allows the surface of the glass to function as a loudspeaker itself.

N.B. : Please specify if LCD TVs will be delivered to USA or Japan.



TV 32" **MSKIT32SL**

TV 37" **MSKIT37SL**

TV 46" **MSKIT46SL**

Pair of loudspeakers Monos **MSDF15W**

MONOS for external TV

Module consisting of:

2 containers lacquered with mat or glossy finish, 1 equipped with big drawers and 1 equipped with drawers (1 for version W.1300, 2 for versions W.1620/1940mm).

1 element with glass and wooden plate to fix wall TV (not included).

1 open unit in mat lacquer.

1 side panel in glossy lacquer for solution A. Upon request side panel in glossy aluminium.

1 side panel in mat lacquer for solution B.

A – 1 black glossy lacquer, glass varnished black.

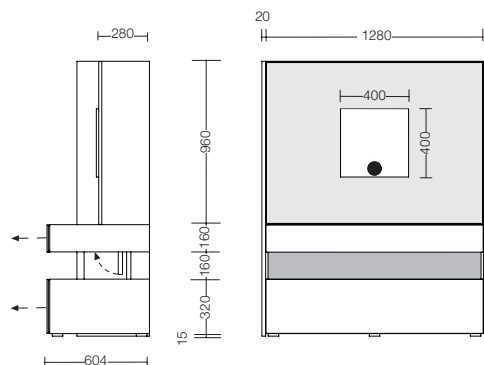
2 gesso glossy lacquer, extralight glass varnished gesso.

3 lava glossy lacquer, reflective glass varnished anthracite.

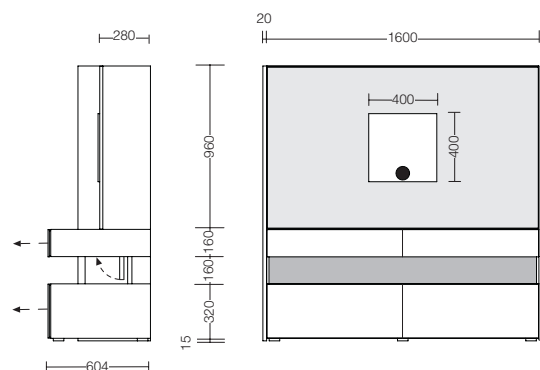
B – 1 black mat lacquer, glass varnished black.

2 gesso mat lacquer, extralight glass varnished gesso.

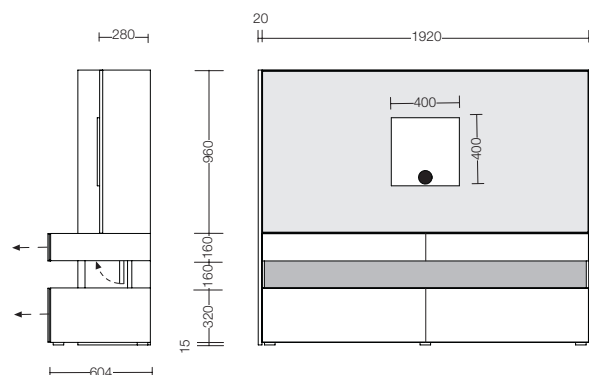
3 lava mat lacquer, reflective glass varnished anthracite.



W.1300 D.402/604 H.1615 mm.



W.1620 D.402/604 H.1615 mm.



W.1940 D.402/604 H.1615 mm.

Code	Sol.A	Sol. B
MS11TF		
MS21TF		
MS31TF		

MONOS

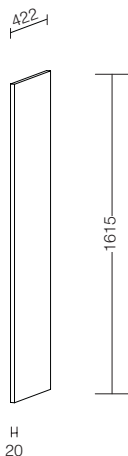
	Code	Mat lacquer	Glossy lacquer	Glossy aluminium
--	------	-------------	----------------	------------------

Closing side panel

To be used as lateral closing element of all compositions.

Side panel finishes:

- Glossy lacquer colours nero, gesso, lava
- Mat lacquer colours nero, gesso, lava

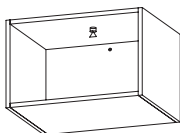


W.20 D.422 H.1615

MSSP

Electric plant - new -

Semi built-in LED spotlight with motion sensor switching on/off , to be fitted inside a container.



2 spotlights for module W.1280
4 spotlights for modules W.1600/1920

MSFLS2

MSFLS4

LED bar - new -

White LED bar, built-in underneath a container.

Please add to the price of the LED bars:

-the price of the power unit (W.50) with TOUCH on/off switch.

White LED bar

W.1280 W.18

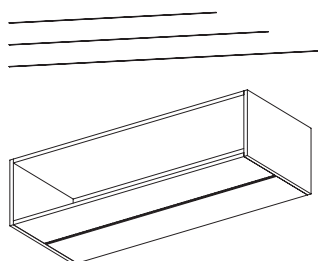
W.1600 W.22

W.1920 W.26

MSTTL6

MSTTL7

MSTTL8



Power unit (W.50) and TOUCH on/off switch - new -

Maximum power of all LED bars of the composition must not exceed a total of 50 Watt. In case, an additional power unit is necessary.

Power unit

MSTTA

MONOS

Code

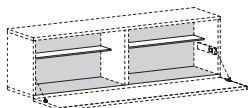
€

Bar equipment

For module W.1280/1600/1920 H.400mm.

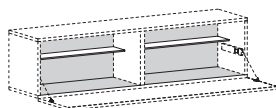
Consisting of:

- Shelf and internal back panel: diamond-cut silver glass coating;
- 2 glass shelves;
- LED lights bar with motion sensor on/off switching.



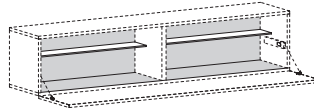
MS1BR

W.1280 D.402 H.400



MS2BR

W.1600 D.402 H.400



MS3BR

W.1920 D.402 H.400

MS1BR

MS2BR

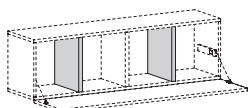
MS3BR

Small side panels equipment

Internal equipment for containers H.240/320mm.

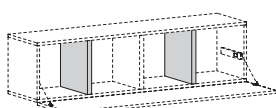
Consisting of:

- 2 or 4 internal small side panels in the same finish as the container.



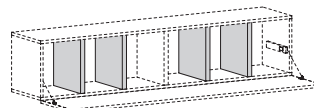
MS1SP1

For flap-door cont. W.1280xP.402xH.240



MS2SP1

For flap-door cont. W.1600xP.402xH.240



MS3SP1

For flap-door cont. W.1920xP.402xH.240

MS1SP2

For flap-door cont. W.1280xP.402xH.320

MS2SP2

For flap-door cont. W.1600xP.402xH.320

MS3SP2

For flap-door cont. W.1920xP.402xH.320

MS1SP1

MS1SP2

MS2SP1

MS2SP2

MS3SP1

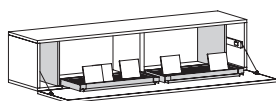
MS3SP2

Pair of CD-holder trays

Internal equipment for containers H.240/320mm.

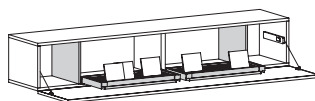
Consisting of:

- 2 pull-out CD-holder trays in aluminium
- 2 small side panels



MS2CD1

For flap-door container W.1600 x D.402 x H.240mm.



MS3CD1

For flap-door container W.1920 x D.402 x H.240mm.

MS2CD2

For flap-door container W.1600 x D.402 x H.320mm.

MS3CD2

For flap-door container W.1920 x D.402 x H.320mm.

MS2CD1

MS2CD2

MS3CD1

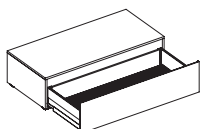
MS3CD2

CD-holder bottom

Internal equipment for base containers with drawers.

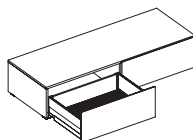
Consisting of:

- 1 aluminium CD-holder bottom for 1 drawer



MSFCD11

For container W.1280 x D.604 x H.335mm.



MSFCD21

For container W.1600 x D.604 x H.335mm.

MSFCD31

For container W.1920 x D.604 x H.335mm.

MSFCD11

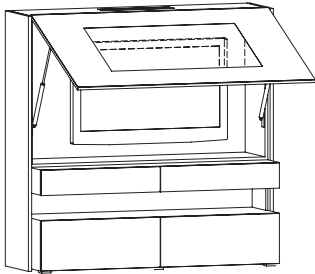
MSFCD21

MSFCD31

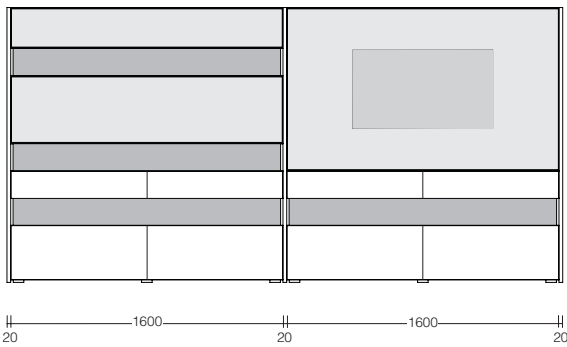
MONOS

- A – 1 black glossy lacquer, glass varnished black. Side panels black glossy lacquer/glossy aluminium.
- 2 gesso glossy lacquer, extralight glass varnished gesso. Side panels gesso glossy lacquer/glossy aluminium.
- 3 lava glossy lacquer, reflective glass varnished anthracite. Side panels lava glossy lacquer/glossy aluminium.
- B – 1 black mat lacquer, glass varnished black. Side panels black mat lacquer.
- 2 gesso mat lacquer, extralight glass varnished gesso. Side panels gesso mat lacquer.
- 3 lava mat lacquer, reflective glass varnished anthracite. Side panels lava mat lacquer.

- Initial, central, and closing side panel same finish as the composition.
- TV LCD excluded.
- Accessories excluded.

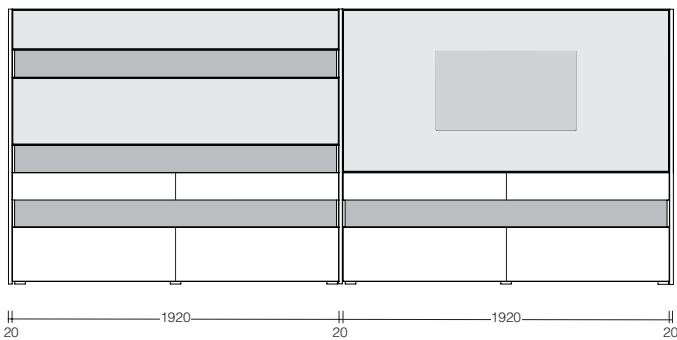


Internal TV standard



W.3260 H.1615 D.604mm.

Internal TV standard



W.3900 H.1615 D.604mm.

Code	Sol.A	Sol. B
COMP1		
COMP2		

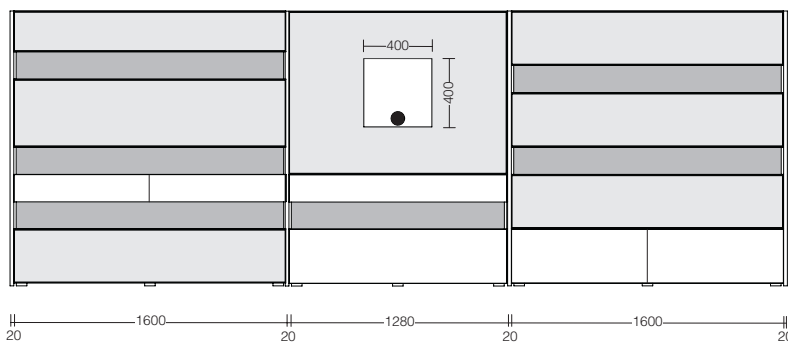
MONOS

- A** – 1 black glossy lacquer, glass varnished black. Side panels black glossy lacquer/glossy aluminium.
- 2 gesso glossy lacquer, extralight glass varnished gesso. Side panels gesso glossy lacquer/glossy aluminium.
- 3 lava glossy lacquer, reflective glass varnished anthracite. Side panels lava glossy lacquer/glossy aluminium.
- B** – 1 black mat lacquer, glass varnished black. Side panels black mat lacquer.
- 2 gesso mat lacquer, extralight glass varnished gesso. Side panels gesso mat lacquer.
- 3 lava mat lacquer, reflective glass varnished anthracite. Side panels lava mat lacquer.

- Initial, central, and closing side panel same finish as the composition.
- TV LCD excluded.
- Accessories excluded.

Code	Sol.A	Sol. B
------	-------	--------

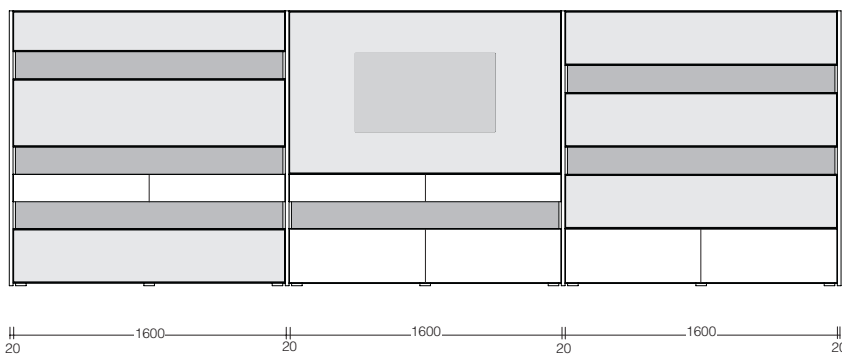
External TV standard



W.4560 H.1615 D.604mm.

COMP3

Internal TV ad-notam



W.4880 H.1615 D.604mm.

COMP4