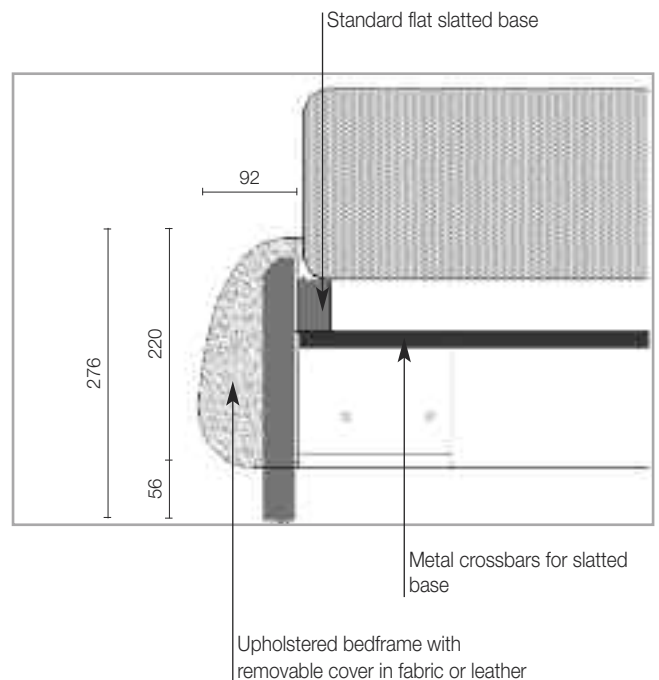
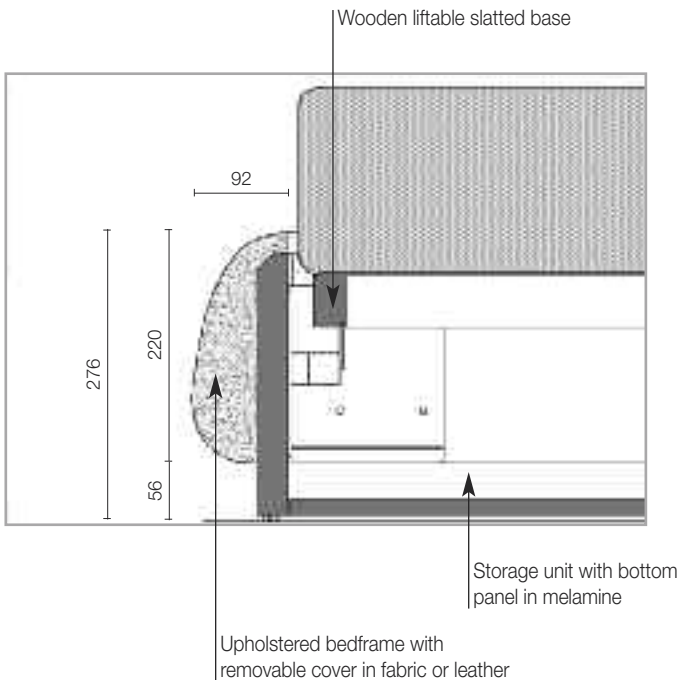
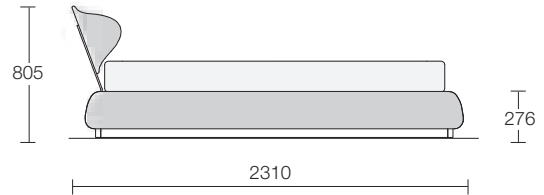
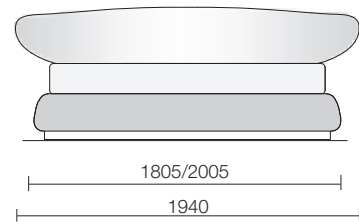


# NUBA H. 220



## TECHNICAL DETAILS

### HEADBOARD

Monocoque structure in welded steel and fireproof cold sprayed polyurethane foam density 65 kg/cbm.

Upholstered with polyurethane foam matched with light velvet.

Cover in fabric or leather with zip fastener, removable by an Upholsterer.

Supports in curved chromed metal.

### UPHOLSTERED STORAGE BED

Wooden agglomerate laminated black thickness 30mm. with adjustable feet.

Padding in shaped polyurethane foam density 40, covered with foam and black light velvet thickness 3mm.

Removable covers in fabric or leather.

Wooden slatted base: see chapter "Slatted bases".

Mechanism for liftable slatted base in zinc-coated steel with pistons 1100nw.

Bottom panel in melamine greige.

Attention: the pistons are set for lifting the slatted base with the weight of a mattress upon it.

Open only with mattress. If mattress is removed keep the slatted base lifted.

### UPHOLSTERED BEDSTEAD WITH FLAT SLATTED BASE

Wooden agglomerate laminated black thickness 30mm. with adjustable feet.

Padding in shaped polyurethane foam density 40, covered with foam and black light velvet thickness 3mm.

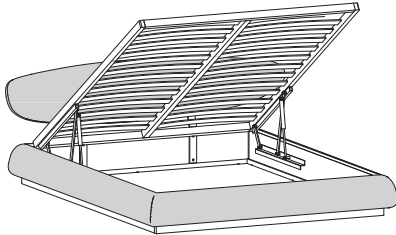
Removable covers in fabric or leather.

Horizontal crossbars for slatted base in metal with black epoxy varnish.

Wooden slatted base: see chapter "Slatted bases".

## Upholstered storage bed

Headboard with cover in fabric or leather, removable by an upholsterer.  
 Bedframe with removable cover in fabric or leather.  
 Plinth in black melamine finish.  
 Bottom panel in melamine greige.  
 Wooden liftable slatted base included.



Mattress dimension	1600 x 2000	1800 x 2000
Bed dimension W x L	1805 x 2310	2005x2310

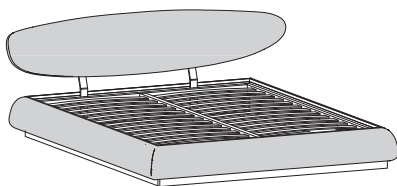
Code	NB1A	NB3A
------	------	------

### Bedstead and headboard

- cat. A
- cat. B
- cat. C+Eco-leather
- cat. D
- cat. I
- cat. H Leather

## Upholstered bedstead with flat standard slatted base

Headboard with cover in fabric or leather, removable by an upholsterer.  
 Bedframe with removable cover in fabric or leather.  
 Plinth in black melamine finish.  
 Standard flat wooden slatted base.  
 It is possible to use slatted bases H.70mm with movement.



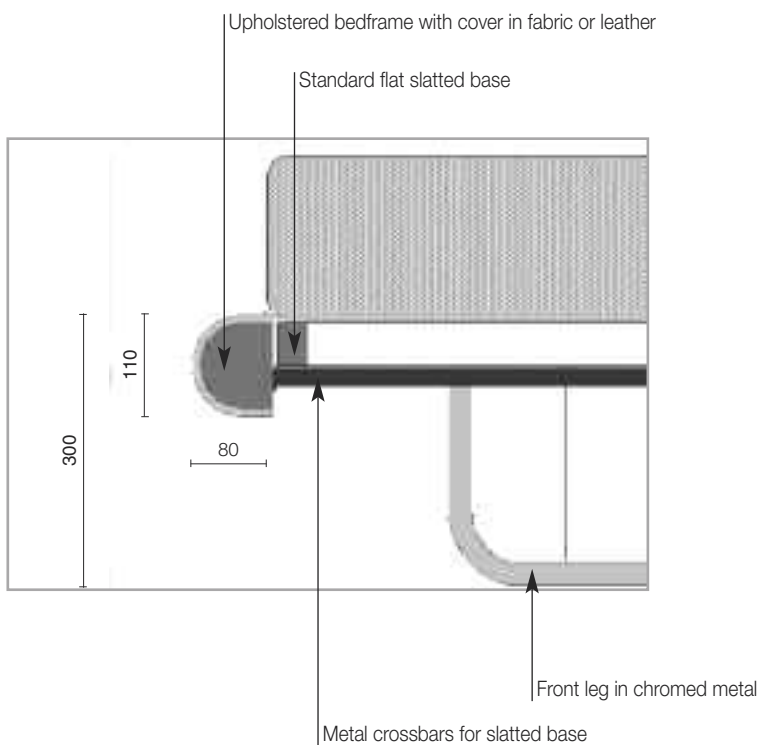
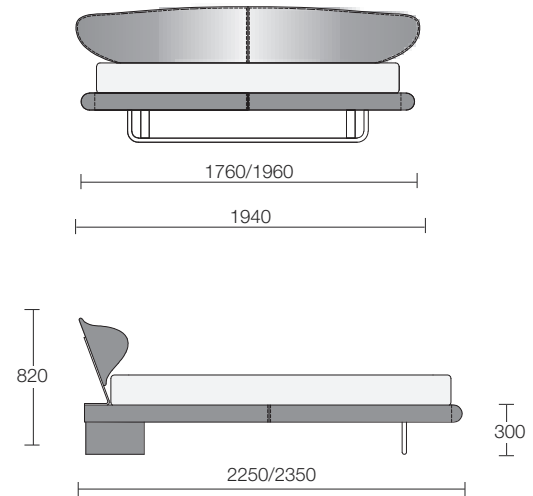
Mattress dimension	1600 x 2000	1800 x 2000
Bed dimension W x L	1805 x 2310	2005 x 2310

Code	NB1B	NB3B
------	------	------

### Bedstead and headboard

- cat. A
- cat. B
- cat. C+Eco-leather
- cat. D
- cat. I
- cat. H Leather

# NUBA H. 100



## TECHNICAL DETAILS

### HEADBOARD

Monocoque structure in welded steel and fireproof cold sprayed polyurethane foam density 65 kg/cbm.

Upholstered with polyurethane foam matched with light velvet.

Cover in fabric or leather with zip fastener, removable by an Upholsterer.

Supports in curved chromed metal.

### UPHOLSTERED BEDSTEAD WITH FLAT STANDARD SLATTED BASE

Poplar multilayer coated with shaped MDF, assembled at an angle, with rounded edges.

#### Removable cover in fabric

Coating with polyurethane foam layer th.10mm. matched with light velvet.

#### Non-removable cover in leather

Coating with polyurethane foam layer th.10mm. and leather nailed on.

Structural frame with crossbars in metal with black epoxy varnish, to support slatted base.

Rear feet in poplar multilayer coated with shaped MDF and covered in polyurethane foam layer th.3mm. matched with light velvet.

Cover in fabric or leather same as bedframe.

Front leg in chromed metal tubular bar diameter 30mm.

Standard flat wooden slatted base: see chapter "Slatted bases".

Optional: wooden slatted base H.70mm. with movement, see chapter "Slatted bases".

## Upholstered bedstead with flat standard slatted base

Headboard with cover in fabric or leather, removable by an upholsterer.

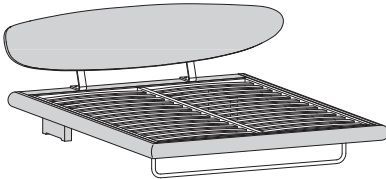
Bedframe with removable cover in fabric, or with non-removable cover in leather.

Standard flat wooden slatted base.

It is possible to use slatted bases H.70mm with movement.

Rear feet covered in fabric or leather.

Front leg in chromed metal.



Mattress dimension	1600 x 2000	1800 x 2000
Bed dimension W x L	1760 X 2250	1960 X 2250

Code	NB1D	NB3D
------	------	------

### Bedstead and headboard

cat. A

cat. B

cat. C+Eco-leather

cat. D

cat. I

cat. H Leather

For bed without slatted base,  
deduct from price:

Mattress dimension	1600 x 2100	1800 x 2100
Bed dimension W x L	1760 X 2350	1960 X 2350

Code	NB4D	NB6D
------	------	------

### Bedstead and headboard

cat. A

cat. B

cat. C+Eco-leather

cat. D

cat. I

cat. H Leather

For bed without slatted base,  
deduct from price: