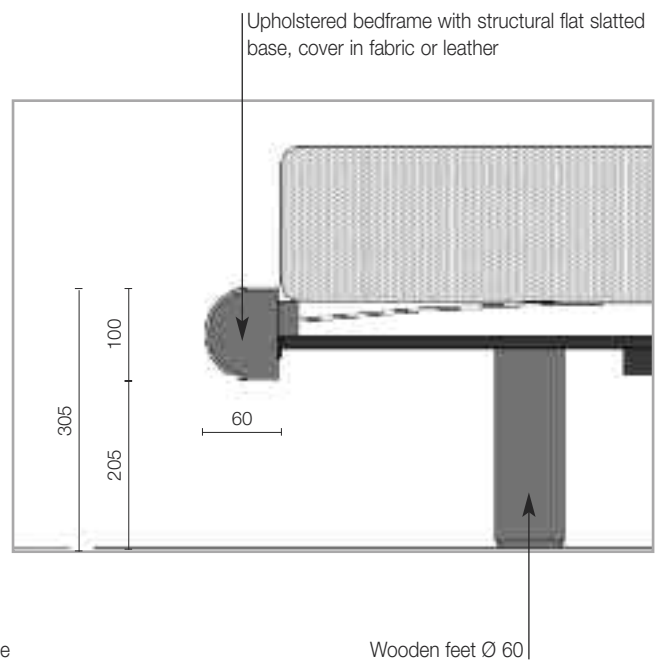
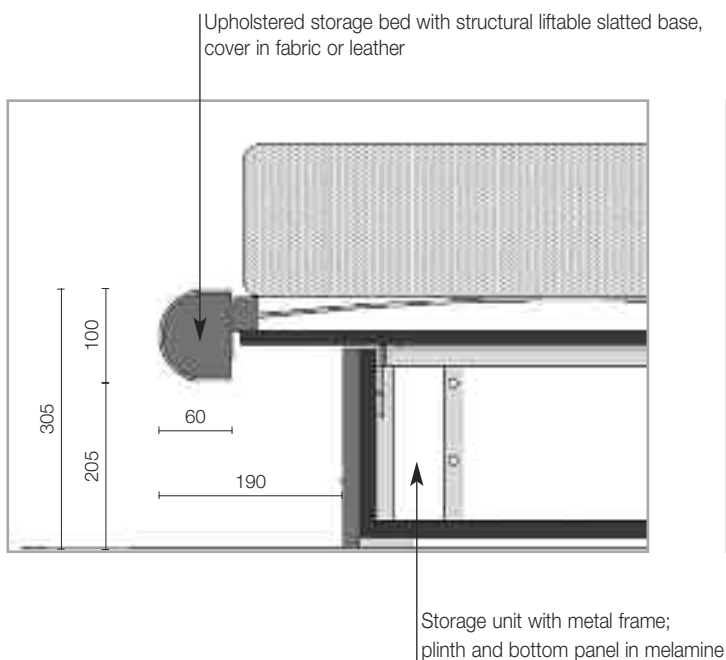
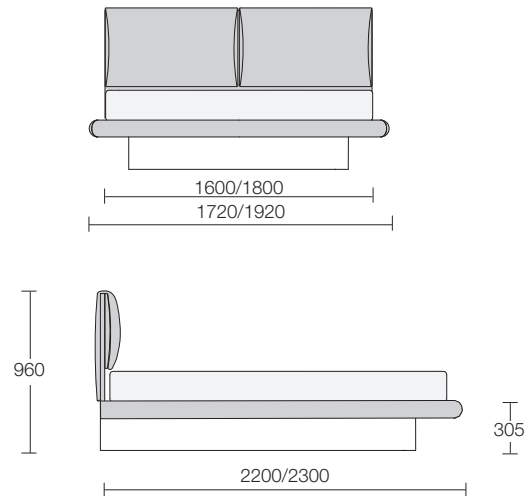


BEATRICE



TECHNICAL DETAILS

HEADBOARD

Melamine panel th.25mm. coated with a layer of polyurethane foam density 30kg/cbm covered with a double layer of light velvet th.3mm.

Mechanism for adjusting panels in 5 reclining positions in zinc-coated steel and natural anodized aluminium.

Removable cover in fabric or leather fitted with velcro.

Bedhead cushions: padding in synthetic wadding 400gr/sq.mt matched with white cotton fabric.

Fixing of the headboard:

- version with feet and structural slatted base: squares in varnished steel with joint for headboard panel and fixing to the horizontal crossbars for slatted base.

- version with storage bed: fixed to the metal structure of the container.

UPHOLSTERED STORAGE BED

Frame in square steel tubular structure varnished black. Plinth in wooden agglomerate laminated walnut, oak melange, brown (up to selling out), or mat lacquered.

Bottom panel in melamine greige included. Liftable slatted base with frame in steel varnished black, and slats in beech multilayer varnished transparent.

Mechanism for liftable slatted base in zinc-coated steel with pistons 1350nw. Attention: the pistons are set for lifting the slatted base with the weight of a mattress upon it. **Open only with mattress. If mattress is removed keep the slatted base lifted.**

Bedframe in MDF 60xH100mm. coated with a layer of polyurethane foam th.10mm. matched with light velvet. Removable cover in fabric or leather.

The bedframe is fixed to the slatted base, and is lifted simultaneously. Usable storage space: 1280x1800xH.180mm.

UPHOLSTERED BEDSTEAD WITH FLAT STRUCTURAL SLATTED BASE

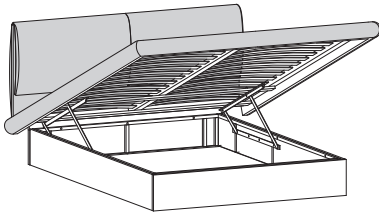
Bedframe in MDF 60xH100mm. coated with a layer of polyurethane foam th.10mm matched with light velvet. Removable cover in fabric or leather.

Structural slatted base in wood, with prefitted horizontal crossbars for the fixing of headboard and feet (for more details see chapter "Slatted bases").

Wooden rounded feet Ø 60mm.

Upholstered storage bed

Headboard panels adjustable in 5 reclining positions.
 Removable covers in fabric or leather.
 Bottom panel in melamine greige included.
 Plinth in melamine: walnut, oak melange, brown (up to selling out),
 mat lacquer.
 NB: please specify the finish of the plinth on the order.



Mattress dimension 1600 x 2000
 Bed dimension W x L 1720 x 2200

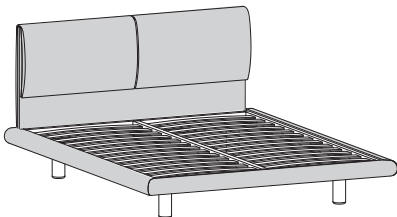
Code **BT1A**

Bedstead and headboard

cat. A
 cat. B
 cat. C+Eco-leather
 cat. D
 cat. I
 cat. H Leather

Upholstered bedstead with flat structural slatted base

Headboard panels adjustable in 5 reclining positions.
 Removable covers in fabric or leather.
 Round feet Ø 60mm. in the finishes: walnut, oak melange, brown (up to
 selling out), mat lacquer.
 NB: please specify the finish of the feet on the order.



Mattress dimension 1600 x 2000 1800 x 2000
 Bed dimension W x L 1720 x 2200 1920 x 2200

Code **BT1B** **BT3B**

Bedstead and headboard

cat. A
 cat. B
 cat. C+Eco-leather
 cat. D
 cat. I
 cat. H Leather

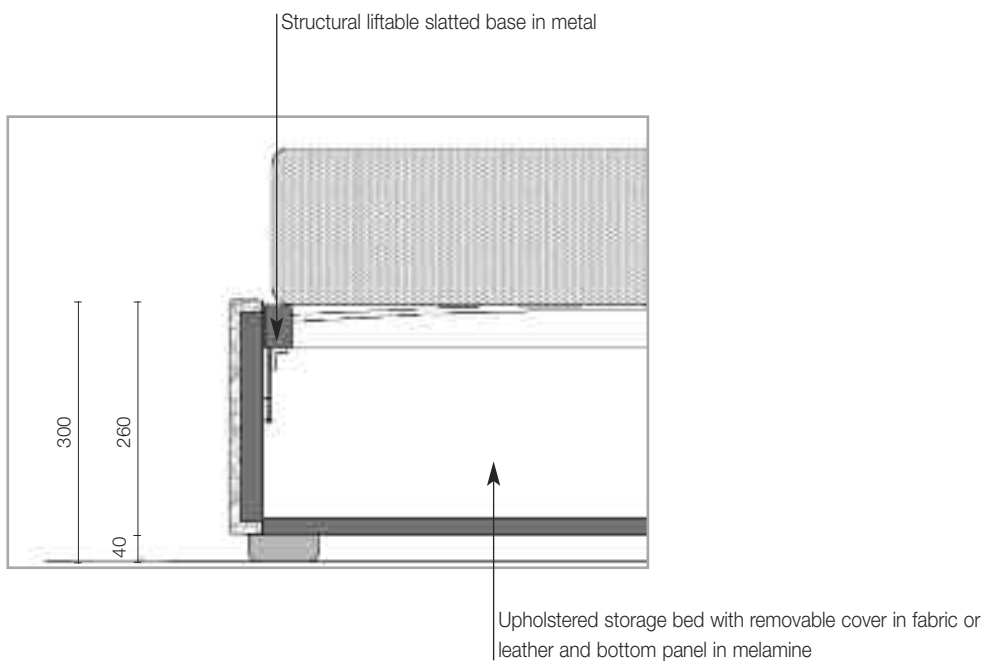
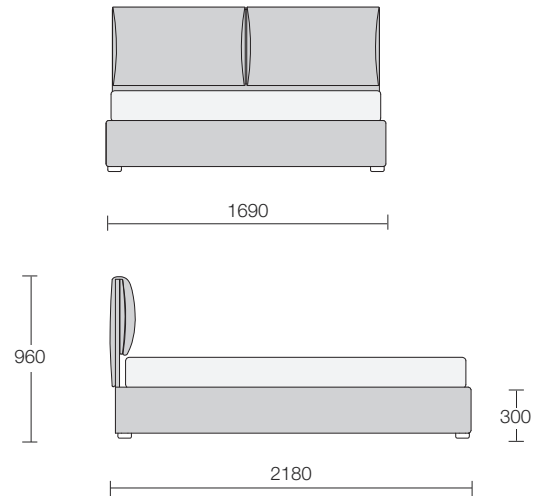
Mattress dimension 1600 x 2100 1800 x 2100
 Bed dimension W x L 1720 x 2300 1920 x 2300

Code **BT4B** **BT6B**

Bedstead and headboard

cat. A
 cat. B
 cat. C+Eco-leather
 cat. D
 cat. I
 cat. H Leather

BEATRICE H. 250



TECHNICAL DETAILS

HEADBOARD

Melamine panel th.25mm. coated with a layer of polyurethane foam density 30kg/cbm covered with a double layer of light velvet th.3mm.

Mechanism for adjusting panels in 5 reclining positions in zinc-coated steel and natural anodized aluminium.

Removable cover in fabric or leather fitted with velcro.

Bedhead cushions: padding in synthetic wadding 400gr/sq.mt matched with white cotton fabric.

UPHOLSTERED STORAGE BED

Structure in wooden agglomerate laminated greige, externally coated with a layer of polyurethane foam matched with light velvet.

Removable cover in fabric or leather.

Bottom panel in melamine greige included.

Liftable slatted base with frame in metal, and slats in beech multilayer varnished transparent.

Mechanism for liftable slatted base in zinc-coated steel with pistons 1100nw.

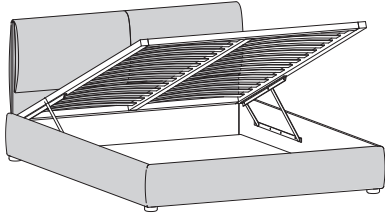
Attention: the pistons are set for lifting the slatted base with the weight of a mattress upon it.

Open only with mattress. If mattress is removed keep the slatted base lifted.

Usable storage space: 1580x1980xH.210mm.

Upholstered storage bed

Headboard panels adjustable in 5 reclining positions.
Removable covers in fabric or leather.
Bottom panel in melamine greige included.



Mattress dimension	1600 x 2000
Bed dimension W x L	1690 x 2180

Code	BT1C
-------------	-------------

Bedstead and headboard

cat. A

cat. B

cat. C+Eco-leather

cat. D

cat. I

cat. H Leather