

# TAO DAY

Design: MAURO LIPPARINI

---

The system TAO DAY has a wide range of solutions, which can be obtained by combining in many different ways all the elements, available in various dimensions and finishes, as mat and glossy lacquer, and veneer.



---

## **FINISHES:**

Finish mat lacquer on laminated melamine paper: pigmented polyurethane semi-mat closed pore varnish.

Finish glossy lacquer on laminated melamine paper: base pigmented polyester with surface pigmented polyurethane high glossy closed pore polish.

Finish walnut: semi-transparent acrylic mat open pore varnish.

Finish oak melange: brushed semi-transparent , acrylic semi-mat open pore varnish.

## **PANNELLING "00"/"80" AND TV PANELS**

Wooden agglomerate panel class E1 thickness 25mm veneered oak or walnut with horizontal grain, or wooden agglomerate panel class E1 thickness 25mm covered in melamine paper.

Edges: in sheared oak or walnut thickness 1mm brushed or pigmented open pore.

Fixtures: wall fixtures in natural anodised drawn aluminium (UNI 6060) and adjustable supports in metal.

Filler panel for panelling "80": in drawn aluminium assembling through pressure (UNI 6060) veneered oak or walnut, or varnished. Finishes as panels.

## **ELEMENTS THICKNESS 80mm. IN WOOD**

Wooden agglomerate panel class E1 thickness 14mm veneered oak or walnut with ureica glue. Panel pre-varnished and folded on 4 sides according to the FOLDEN system with lower closing panel. Edges in sheared brushed oak or walnut. Feet in varnished thermoplastic material with adjusting device.

Invisible shelf supports for big shelves in steel with epoxy varnish complete with adjusting device.

## **ELEMENTS THICKNESS 80mm. MAT OR GLOSSY LACQUERED**

Honeycomb panel realized with frame in wooden agglomerate panel class E1, internal cells 5x5mm, coatings in white laminated paper.

## **BIG GLASS SHELVES**

Structure in brushed and polished drawn aluminium (UNI 6060) or veneered in sheared oak or walnut.

Tubular crossbars 60x20x2mm are in steel with epoxy varnish. Complete with fixtures to fix to panelling or directly to the wall.

Upper and lower glass thickness 4mm in tempered satined glass with protective transparent varnish.

Lighting with 1 fluorescent lamp 28W for width 1280mm, 2 fluorescent lamps 21W for width 1920mm, 2 fluorescent lamps 28W for width 2560mm; independent on/off switch in line with standard regulations in force.

## **SMALL ALUMINIUM SHELVES**

In anodised natural drawn aluminium (UNI 6060). Caps in natural anodised drawn aluminium (UNI 6060).

Joints in pressure die casted iron. Fixtures for positioning on panelling of the Tao system or directly on the wall in steel.

## **BASE CONTAINERS**

Structure in melamine gesso thickness 19/38mm and back panel 8mm. External side panels in: oak melange, walnut, mat lacquer, glossy lacquer.

Internally fitted with structural shelves th.19mm every 640mm. Internal shelves in melamine, lacquer or glass, adjustable in height (+/-80mm). Containers can be fitted with doors and drawers. Top must be used, thickness 19mm. When placed on the floor, containers are equipped with H.15mm in thermoplastic material, adjustable in height.

## **HANGING/TV CONTAINERS**

Structure in melamine gesso thickness 19/38mm. Removable back panels thickness 14mm are fixed with a magnet to the rear metal frame, which is used to hang the container to the wall as well as to create the necessary space for the passage of the cables. External side panels in: oak melange, walnut, mat lacquer, glossy lacquer. Internally fitted with structural shelves th.19mm every 640mm. Internal shelves in melamine, lacquer or glass, adjustable in height (+/-80mm). Containers can be fitted with doors and drawers. Top must be used, thickness 19mm.

## **WOODEN DOORS**

Thickness 22mm. Finish: oak melange, walnut, mat lacquer, glossy lacquer. Equipped with steel hinges with automatic spring closing.

## **GLASS DOORS PROFILE "0"**

Melamine panel thickness 18mm with glued-on tempered glass.

Profile thickness 2mm in drawn polished aluminium, with incorporated handle in polished aluminium.

## **GLASS DOORS WITH FRAME IN ANODISED GLOSSY ALUMINIUM**

Realized with a frame in anodised glossy aluminium. Thickness 22mm. Equipped with steel hinges with automatic spring closing.

Tempered glass thickness 4mm (finishes group B).

## **DRAWERS**

Internal finish melamine maple; with oak melange fronts internal finish melamine melange. They move on invisible steel runners; are fitted with a height adjusting device and a with spring closing system. Thickness of front 22mm available in the finishes: oak brown, walnut, mat or glossy lacquer, or with glass (finishes group A) and aluminium profile "0".

## **HANDLES**

Incorporated handle in anodized glossy aluminium.

Regula handle in glossy aluminium.

Without handle with push opening.

## **TOPS**

Thickness 19mm. to be used as upper finishing element of one or more containers up to a max. width of 3200mm. Finishes: oak melange, walnut, mat or glossy lacquer.

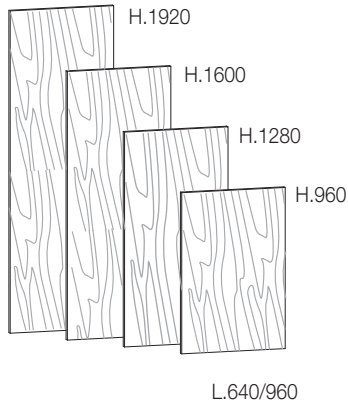
# PANELLING "00"

## Panelling "00"

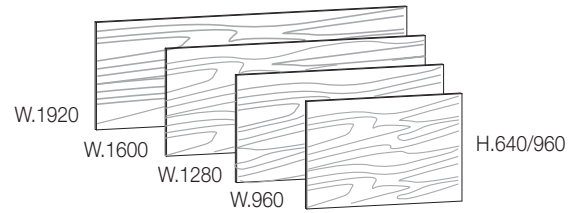
Panel thickness 25mm. Total depth including wall fixtures 38mm. Can be positioned on the floor (with adjustable feet), hanging or on top of containers. Available in two widths, can be positioned vertically or horizontally.

For wooden finish: vertical panel/vertical grain  
horizontal panel/horizontal grain.

Vertical panel

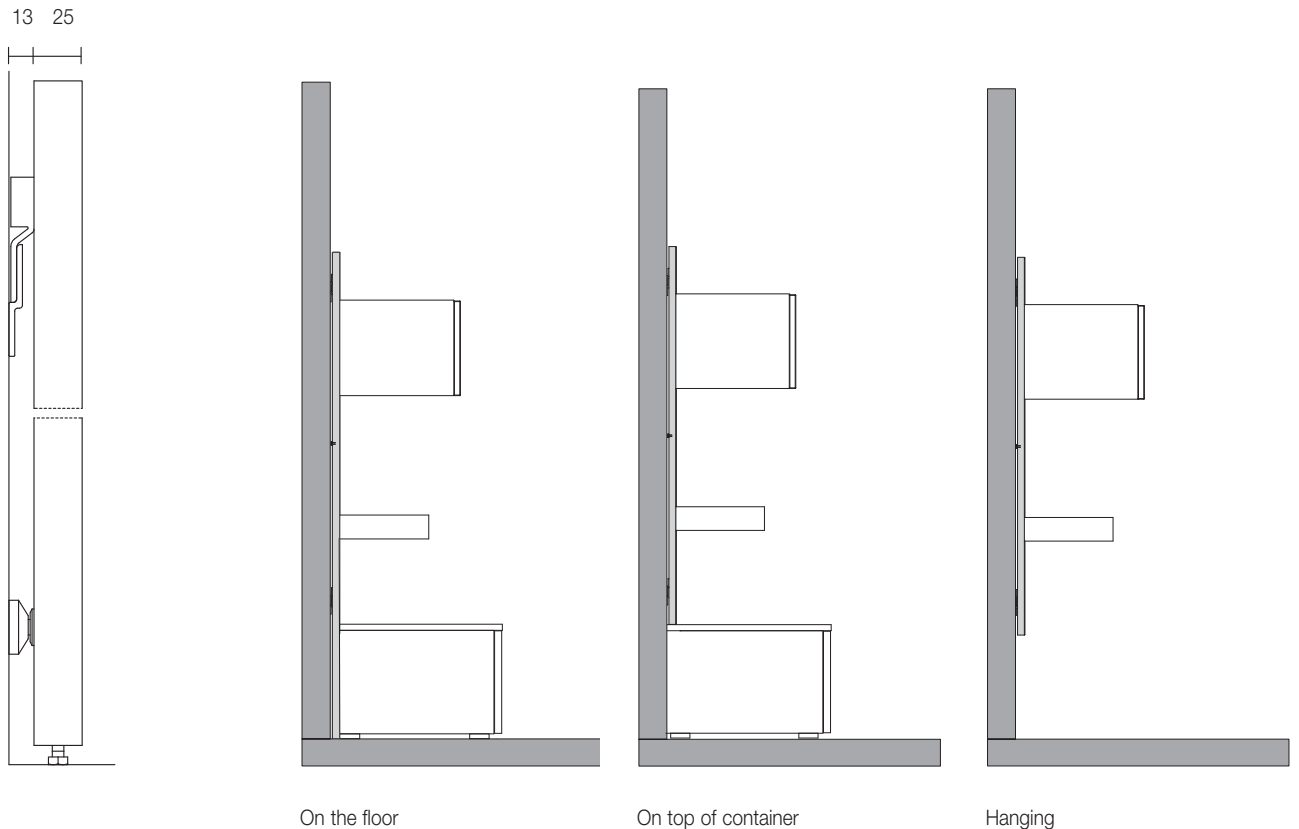


Horizontal panel



## DEPTH

Necessary space 38mm. Complete with lateral filler panel equipped with a bristled backing. The space between the wall and the panelling of 10mm may be used for passing of cables. It is possible to fit a semi built-in multiple socket.



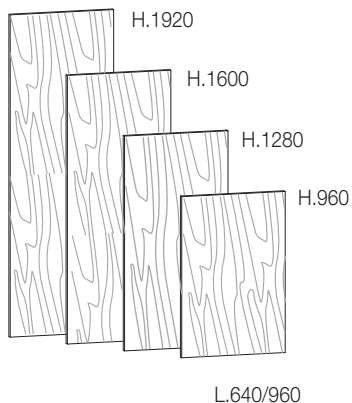
# PANELLING "80"

## Panelling "80"

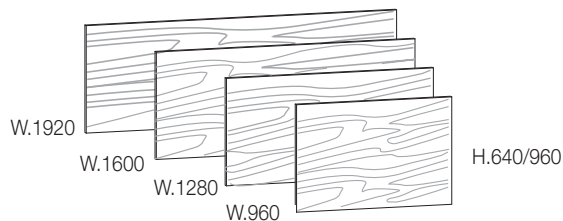
Panel thickness 25mm. Total depth including wall fixtures 80mm. Can be positioned on the floor (with adjustable feet), hanging or on top of containers. Available in two widths, can be positioned vertically or horizontally.

For wooden finish: vertical panel/vertical grain  
horizontal panel/horizontal grain.

Vertical panel



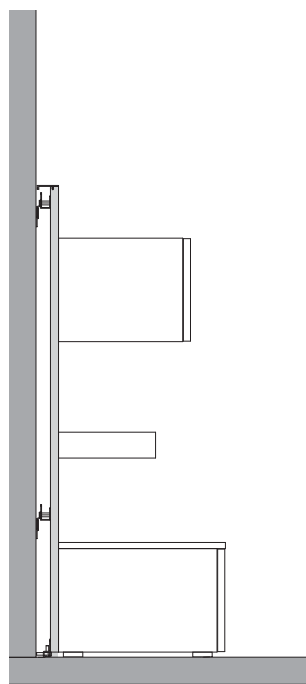
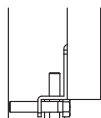
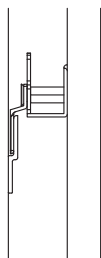
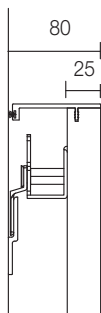
Horizontal panel



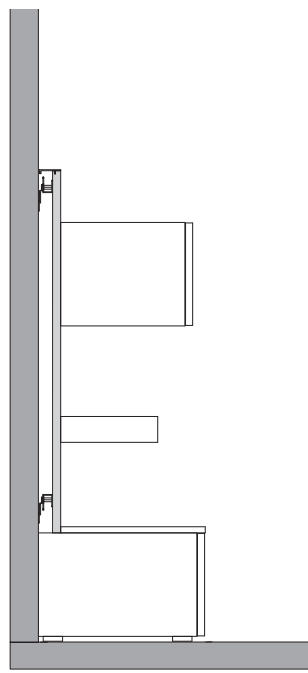
## PROFONDITÀ

Ingombro 80mm.

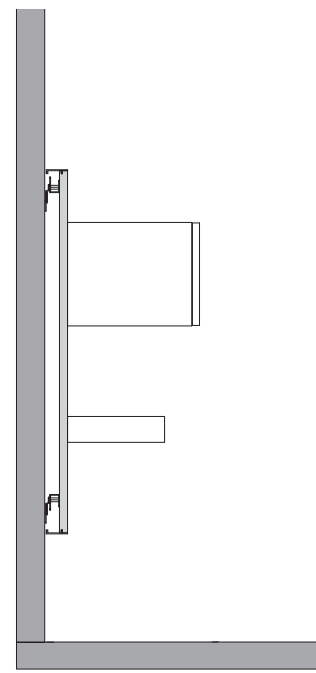
Il profilo di tamponamento in alluminio è in finitura come i pannelli. Provvisto di spazzolino di chiusura alla parete. L'intercapedine di 52mm. fra pannello e muro può essere utilizzata per il passaggio dei vari cavi corrente, TV, HI-FI ecc.



On the floor



On top of container



Hanging

# DETAILS CONTAINERS

Modularity base containers D.490 and 384mm.

	320	480-	640	960	1280	1600	1920
175							
255							
335							
415							
495							
655							
975							
1295							
1935							

Modularity hanging containers D.490 and 384mm.

	320	480	640	960	1280	1600	1920
160-							
240-							
320							
400							
480							
640							
960 only D.384							
1280 only D.384							