

CROSSING

Design: MAURO LIPPARINI / CRS MISURAEMME

A real innovation refreshes the concept of bookcases. The panels of which it consists, with less weight, allow the bookcase to be hanging giving a very new sense of “visible lightness”.



FINISHES

Walnut: semi-transparent varnish, acrylic semi-mat open pore.

Oak melange: brushed, semi-transparent varnish, acrylic semi-mat open pore.

Mat lacquer on laminated melamine paper: pigmented water base semi-mat closed pore varnish.

Melamine colour gesso.

SIDE PANELS – BASE SHELVES – UPPER SHELVES – SHELVES

- Panel th.38mm in poplar blockboard: three crossing layers of solid wood covered with two layers of MDF th.3mm, veneered oak or walnut (black walnut), or covered with white laminate th.0,3mm. for lacquering.

- Visible edge: thickn.2mm in oak, or layered with pre-stained tanganica with upper layer in black walnut.

- Non visible edge: white paper or paper with black walnut or oak melange effect.

- Wooden shelves: thickness 38mm, can be positioned every 80mm

- Glass shelves: tempered transparent glass thickness 12mm, can be positioned every 80mm

- Hardware fixtures: PVC and nickel-plated steel

BACK PANELS

- Wooden agglomerate panel class E1 thickness 14mm. covered in white melamine paper or veneered oak or walnut (black walnut).

- Edges: th. 0,3mm white melamine paper or paper with oak melange or walnut effect. Laterally edge co-extruded rigid/soft transparent PVC.

TOPS

Thickn.19mm to be used as upper finishing element for one or more modules up to a max. width of 1958mm.

Finishes: oak melange, walnut, mat lacquer, glossy lacquer.

WOODEN HINGED/SLIDING/FLAP DOORS – FIXED FRONTS FOR FREE STANDING COMPOSITIONS

- Wooden agglomerate panel class E1 thickness 22mm. veneered oak with horizontal grain or laminated with melamine paper.

- Edge: thickn.1mm in plastic material finish white, oak or walnut.

- Hardware fixtures hinged doors:• Steel hinges with automatic spring closing fitted with adjusting device in the 3 dimensions.

• Handle type “Regula” in drawn brushed polished aluminium

• Without handle with “push opening” fitted on the side panel.

- System with flap door DOWN: fixture in drawn polished aluminium and steel cable with automatic spring closing for opening and closing.

- System with flap door UP: mechanism in aluminium for soft closing device.

GLASS HINGED/FLAP/SLIDING DOORS PROFILE “0”

Melamine panel thickness 18mm with glued-on tempered glass (finishes: group A).

Profile thickness 2mm in drawn polished aluminium, with incorporated handle in polished aluminium.

GLASS HINGED/SLIDING DOORS

- Frame: in anodised polished drawn aluminium (UNI 6060).

- Tempered glass thickn.4mm. (finishes: group B).

DRAWERS

- Fronts: wooden agglomerate panel class E1 thickness 22mm veneered oak/walnut with horizontal grain or laminated with melamine paper.

- Fronts thickn.18mm. with glass and profile “0”, incorporated handles.

- Edge: thickn.1mm in plastic material finish white, oak or walnut.

- Sides of drawer: wooden agglomerate panel class E1 thickness 14mm, melamine paper with maple effect.

- Bottom of drawer: wooden agglomerate panel class E1 thickness 8mm melamine paper with maple effect.

- Runners: in steel, with double pull-out, fitted on ball bearing. Complete with soft closing device

- Opening with handle Regula/Incorporated: in drawn brushed polished aluminium (UNI 6060).

- “Push” opening: with springs fitted on steel runners.

STEP-LADDER

- Tubular welded steel varnished metallic grey.

- Steps in varnished tubular steel covered with non-slip plastic material.

- Fixture to the rails in plastic material.

PANELS TO BE INSERTED FOR EXTERNAL TV

Wooden agglomerate panel thickn.25mm covered with melamine paper or veneered oak/walnut.

Finish walnut: semi-transparent varnish, acrylic semi-mat open pore.

Finish oak melange: brushed, semi-transparent varnish, acrylic semi-mat open pore.

Finish mat lacquer on laminated melamine paper: polyurethane pigmented semi mat closed pore varnish.

Finish glossy lacquer on laminated melamine paper: base pigmented polyester with surface pigmented polyurethane high glossy closed pore polish

SMALL ALUMINIUM SHELVES

In satined anodised drawn aluminium (UNI 6060). Covering caps in satined anodised drawn aluminium (UNI 6060). Joints in pressure die casted iron.

Hardware fixtures to fix to the wall in nickel-plated steel.

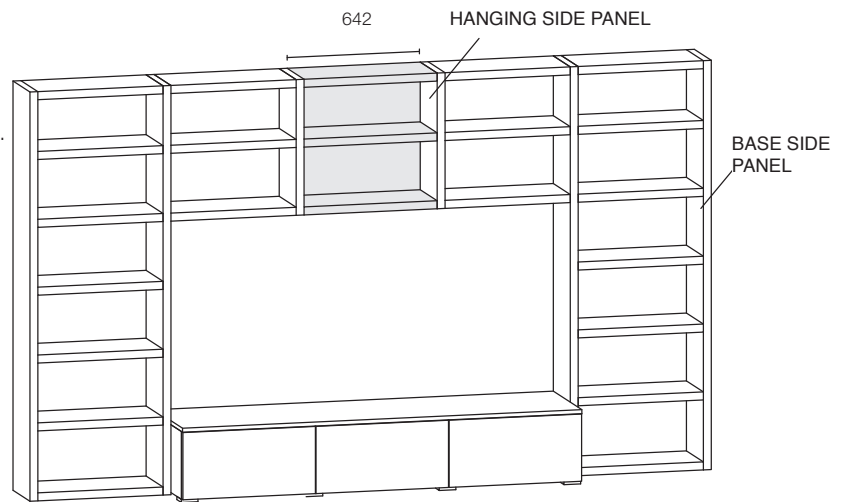
IN COMBINATION WITH CONTAINERS

BRIDGE ELEMENT WITH BASE CONTAINER

Floor-based side panels.

Central shelves for bridge to measure $604\text{mm.} + 38\text{mm.} = 642\text{mm.}$

Made to measure without extra charge.

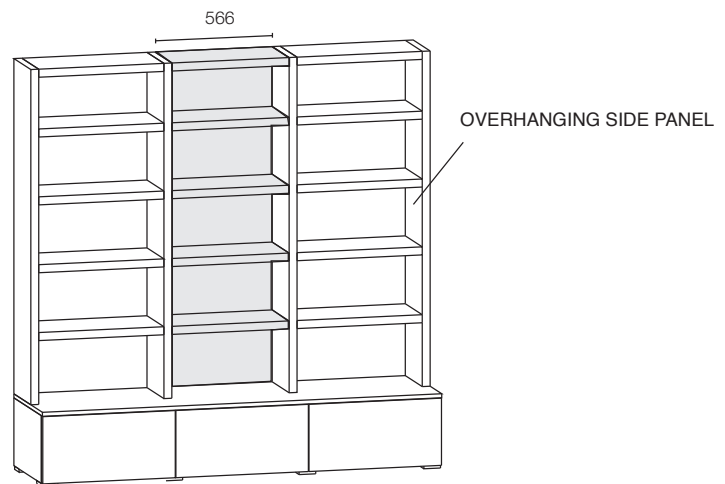


OVERHANGING MODULES POSITIONED ON FLOOR-BASED CONTAINERS

Overhanging side panels.

Shelves to measure $604\text{mm.} - 38\text{mm.} = 566\text{mm.}$

Made to measure without extra charge.



ELEMENTS IN COMBINATION WITH BASE CONTAINERS AND HANGING UNITS

